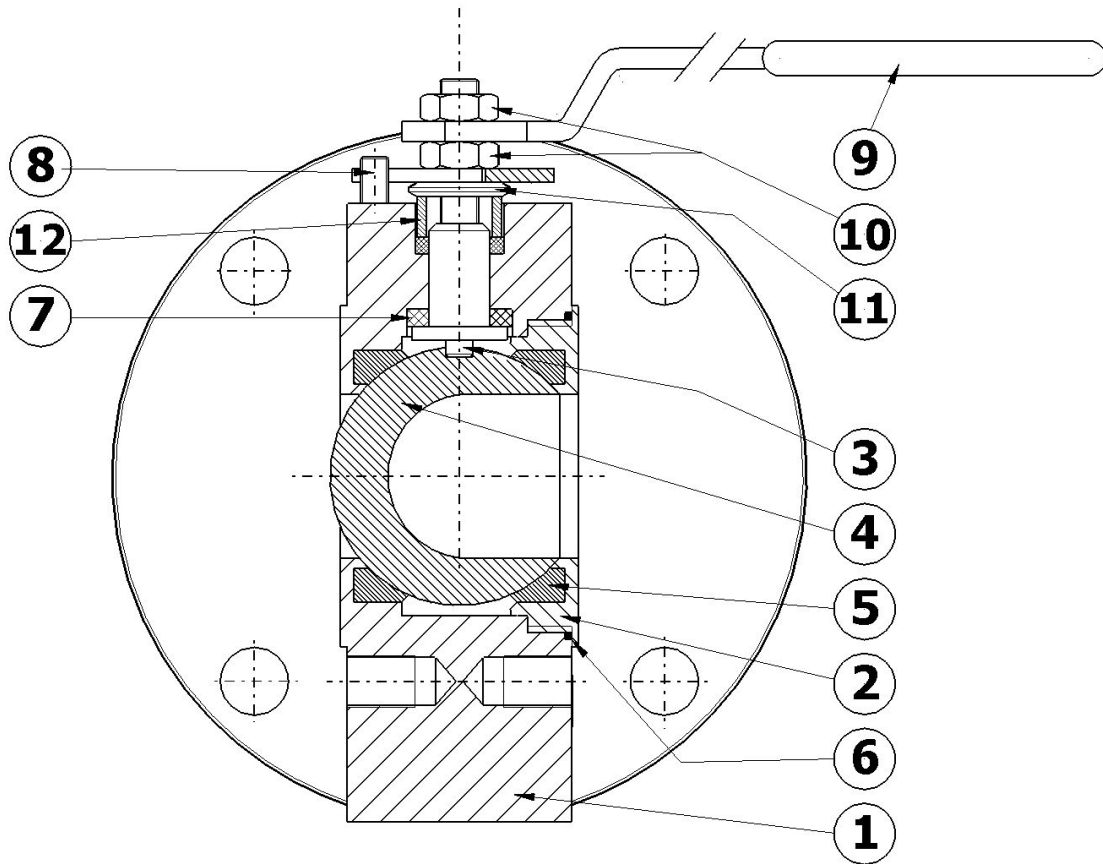


(MG 22)

THREE-WAY WAY WAFER TYPE "L" or "T" PN 6 /40 ANSI 150/300



Materiali standard: Standard materials: ASTM A 105-ASTM A 182F316/L

PART	DESCRIZIONE	DESCRIPTION	*ASTM A105	*ASTM A 182F316/L
1	CORPO	BODY	*ASTM A105	*A 182F316/L
2	GHIERA	RING NUT	*ASTM A105	*A 182F316/L
3	STELO	STEM	*A 182F316	*A 182F316
4	SFERA	BALL	*A 182F316	*A 182F316
5	SEDI	SEATS	*PTFE	*PTFE
6	ANELLO	RING	*VITON/GRAF.	*VITON/GRAF.
7	GUARNIZIONE	SEAL	*PTFE/GRAF.	*PTFE/GRAF.
8	ARRESTO	STOP	*GALVANIZED STEEL	*GALVANIZED STEEL
9	LEVA	HANDLE	*GALVANIZED STEEL	*GALVANIZED STEEL
10	DADI	STEM NUTS	*GR 6S GALVANIZED	*GR 6S GALVANIZED
11	MOLLE A TAZZA	SPRING WASHERS	*C.72 GALVANIZED	*C.72 GALVANIZED
12	PREMISTOPPA	PRESSING BUSH	*A 105 GALVANIZED	*A 105 GALVANIZED

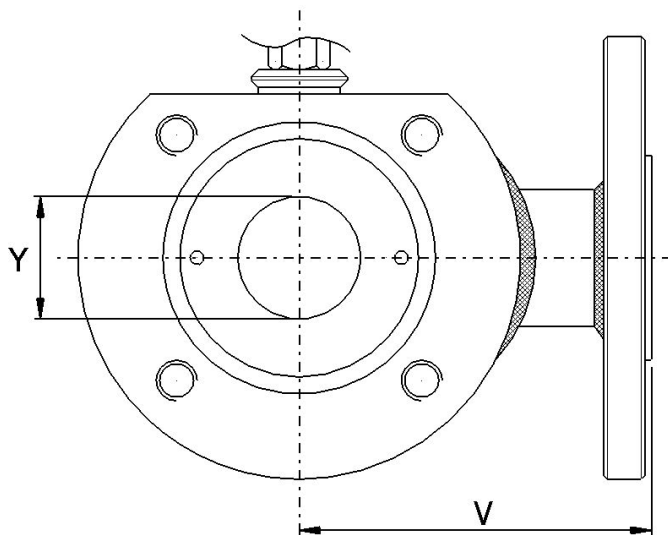
L1= Face to face with no protruding ball.

* Other materials upon request.

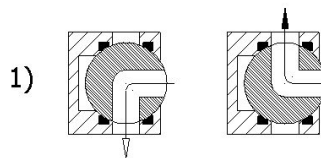
Valves data and characteristic can be modifier without prior notice.

(MG 22)

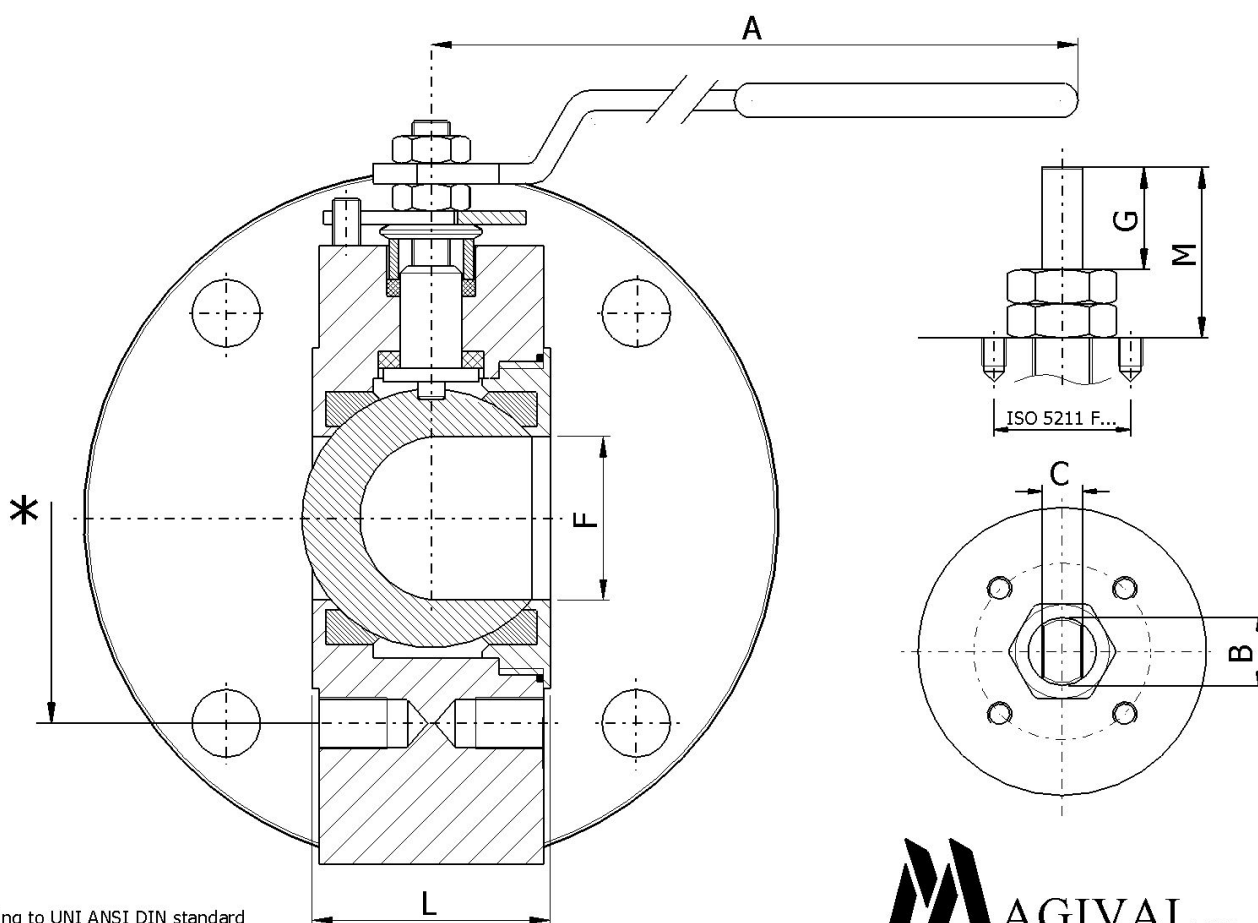
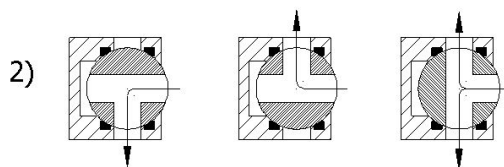
THREE-WAY WAY WAFER TYPE "L" or "T" PN 6/40 ANSI 150/300



1) POSIZIONAMENTI POSSIBILI CON SFERA A "L"
1) ALLOWABLE POSITIONING WITH "L" PORT



2) POSIZIONAMENTI POSSIBILI CON SFERA A "T"
2) ALLOWABLE POSITIONING WITH "T" PORT



* According to UNI ANSI DIN standard

MAGIVAL S.R.L.
VALVOLE INDUSTRIALI

DIMENSIONS

DN	15	20	25	32	40	50	65	80	100
DN	1/2"	3/4"	1"	1.1/4"	1.1/2"	2"	2.1/2"	3"	4"
Y	14	14	20	25	32	38	48	65	73
V	85	90	90	105	120	130	150	175	185
F	14	20	25	32	38	48	65	75	94
L	35	43	46	55	66	73	98	120	140
L1	35	43	46	55	66	80	107	120	152
A	150	185	185	285	285	285	370	370	460
C	5.5	7.5	7.5	9	9	9	14	14	18
B	10	12	12	14	14	14	22	22	30
G	14	10	10	10	10	10	13	13	13
M	18	23	25	28	28	30	53	53	60
ISO 5211	F 03	F 04	F 04	F 05	F 05	F 05	F 07	F 07	F 07